

REFRIGERATI
REFRIGERATED
PROSTORE 600

Code	Model	Ref.	Page	Ver	Notes
190158	PS04R1G	o	4,6,7	02	1-GL.DOOR REFRIG.470LT,0/+10°,PROST-R290 REM
190324	PS04R1G1	p	4,5,7	00	1-GL.DOOR REFRIG.470LT,0/+10°,PROST-R290
190450	PS04R1FRL	r	2,6,7	00	1-DR REFR.470LT,0/+10°,PROSTORE,REM-LEFT
190647	PS04R1FR	s	2,6,7	00	1-DOOR REFRIG.470LT,0/+10°, PROSTORE,REM
190743	PS04R1FRL	q	2,6,7	00	1-DR REFR.470LT,0/+10°,PROSTORE,REM-LEFT
190899	PS04R1FRL	t	2,6,7	00	1-DR REFR.470LT,0/+10°,PROSTORE,REM-LEFT
190904	PS04R1G	u	4,6,7	00	1-GL.DOOR REFRIG.470LT,0/+10°,PROST-REM-R449a
190AIP	PS04R1G	v	4,6,7	00	1-GL.DOOR REFRIG.470LT,0/+10°,PROST-REM
190AWN	PS04R1FRL	k	2,6,7	00	1-DR REFR.470LT,0/+10°,PROSTORE,REM-LEFT
190AYF	PS04R1GL	j	4,6,7	00	1-GL.DOOR REFRIG.470LT,0/+10°,PROST-REM-R134A
190CB9	PS04R2FR	w	3,6,7	00	2-DOOR REFRIG.470LT,0/+10°,PROSTORE
190CH8	PS04R1GL	x	4,6,7	00	1-GL.DOOR REF.470LT,0/+10°,PROST-REM-CO2
190CT4	PS04R1FR	f1	2,6,7	00	1-DOOR REFRIGERATOR 470LT,0/+10°, PROSTORE,REM
190CWA	PS04R1FR	j1	2,6,7	00	1-DOOR REFRIGERATOR 470LT,0/+10°, PROSTORE,REM, BRINE SYSTEM
190CWW	PS04R1FRL	k1	2,6,7	00	1-DOOR REFRIGERATOR 470LT,0/+10°,PROSTORE,REM-LEFT
190CZ8	PS04R1GHC	o1	4,6,7	00	1-GLASS DOOR REFRIGERATOR 470LT,0/+10°,PROST-R290
190D4Y	PS04R1FR	p1	2,6,7	00	1-DOOR REFRIGERATOR 470LT,0/+10°, PROSTO
691199	PS04R1F	a	2,5,7	02	1-DOOR REFRIG. 470LT,0/+10°, PROSTORE Elux
691208	PS04R1FR	e	2,6,7	09	1-DOOR REFRIG.470LT,0/+10°, PROSTORE,REM Elux
691235	PS04R1FLR	m	2,6,7	11	1-DOOR REFRIG.470LT,0/+10°, PROSTORE,REM LFT Elux
691236	PS04R2F	d	3,5,7	11	2-DOOR REFRIG.470LT,0/+10°,PROSTORE-R290 Elux
691237	PS04R1G	l	4,5,7	08	1-GL.DOOR REFRIG.470LT,0/+10°,PROST-R290
691238	PS04R1FHC	b	2,5,7	03	1-DOOR REFRIG.470LT,0/+10°,PROSTORE-R290 Elux
691239	PS04R1FLHC	c	2,5,7	03	1-DOOR REFRIG.470LT,0/+10°,PROSTORE-R290 LFT Elux
691280	PS04R1GL	n	4,5,7	00	1-GL.DOOR REFRIG.470LT,0/+10°,PROST-R290 LEFT HINGED Elux
691336	PS04R1FM	i	2,5,8	02	1-DOOR REFRIG. 470LT,0/+10°, PROSTORE Marine Elux
691344	PS04R1FHC	b1	2,5,7	00	1-DOOR REFRIGERATOR 470LT,0/+10°,PROSTORE-R290
691345	PS04R1FLHC	c1	2,5,7	00	1-DOOR REFRIGERATOR 470LT,0/+10°,PROSTORE,R290-LEFT
691346	PS04R1GHC	l1	4,5,7	00	1-GLASS DOOR REFRIGERATOR 470LT,0/+10°,PROST-R290
691347	PS04R1GLHC	n1	4,5,7	00	1-GLASS DOOR REFRIGERATOR 470LT, PROSTORE-LEFT HINGED-R290
691348	PS04R2FHC	d1	3,5,7	00	2-DOOR REFRIGERATOR 470LT,0/+10°,PROSTORE-R290
691363	PS04R1FM	i1	2,5,8	00	1-DOOR REFRIGERATOR 470LT,0/+10°, PROSTORE MARINE-R134a
691365	PS04R1FR	e1	2,6,7	00	1-DOOR REFRIGERATOR 470LT,0/+10°, PROSTORE,REM
691366	PS04R1FRL	m1	2,6,7	01	1-DOOR REFRIGERATOR 470LT,0/+10°,PROSTORE,REM-LEFT
691377	PS04R1FM	a1	2,5,8	00	1DR REF.470L,0/+10°,PROSTORE,60HZ,MAR
691387	PS04R1FM	y	2,5,8	00	1-DOOR REFRIGERATOR 470L, 0/+10°C, DIGITAL PROSTORE - R290 - 50/60HZ - MARINE
728830	APS04R1F	f	2,5,7	02	1-DOOR REFRIG. 470LT,0/+10°, PROSTORE APX
728831	APS04R1FR	g	2,6,7	03	1-DOOR REFRIG.470LT,0/+10°, PROSTORE,REM APX
728832	APS04R1FHC	h	2,5,7	03	1-DOOR REFRIG.470LT,0/+10°,PROSTORE-R290 APX
729526	APS04R1FHC	h1	2,5,7	00	1-DOOR REFRIGERATOR 470LT,0/+10°,PROSTORE-R290
729527	APS04R1FR	g1	2,6,7	00	1-DOOR REFRIGERATOR 470LT,0/+10°, PROSTORE,REM

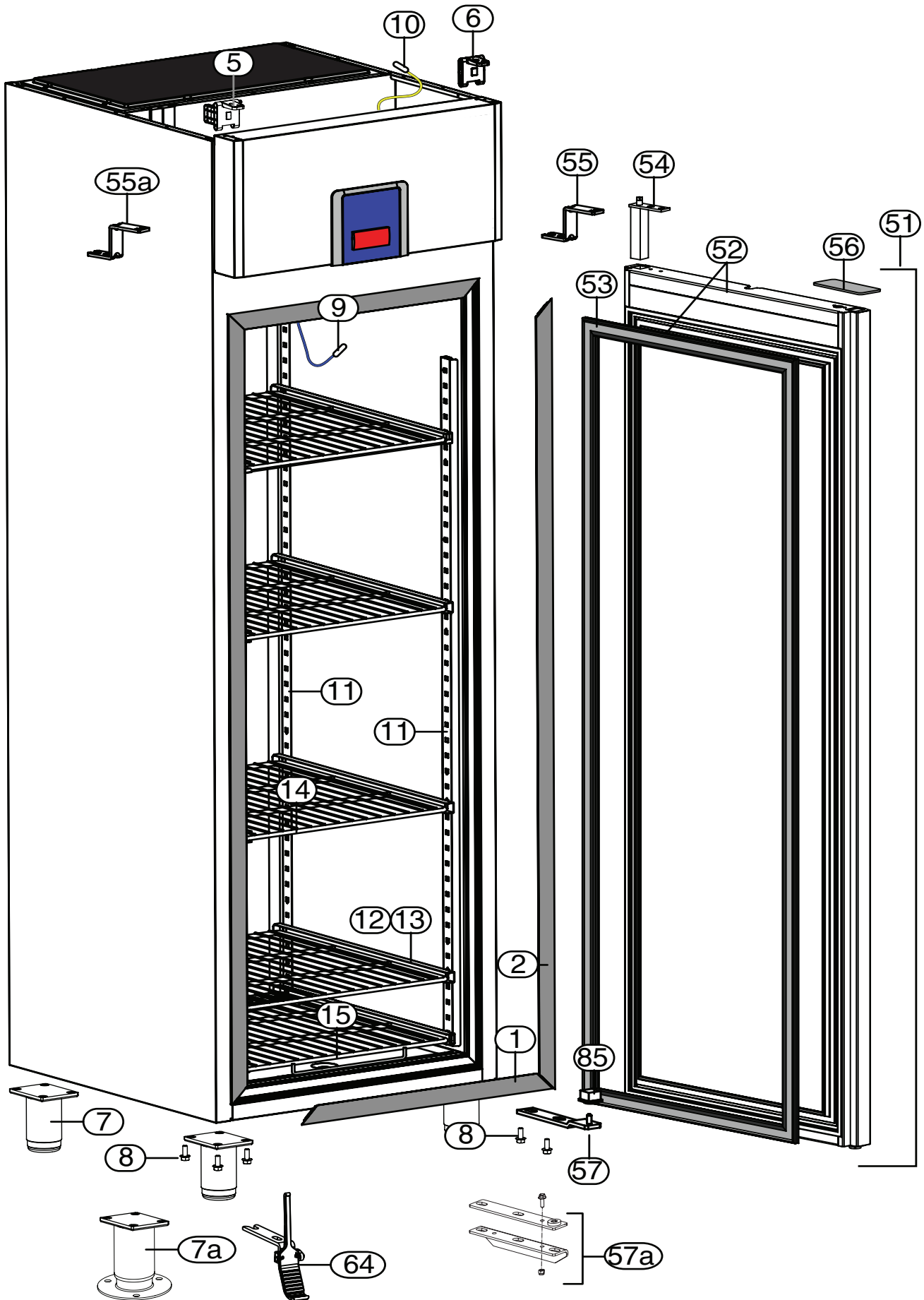
Index and pages

Rev. 11	Cabinet and Door/Armadio e Porta	2,3,4
	Cooling unit / Gruppo	5
	Remote cooling unit/ gruppo remoto	6
	Control panel/Pannello di controllo	7
	Marine control panel/Pannello di controllo Marine	8

Grassetto = ultima modifica
Bold = last change

* Componenti a richiesta
* Components on demand

Full door



560152 armadio porta intera

Grassetto = ultima modifica
Bold = last change

* Componenti a richiesta
* Components on demand

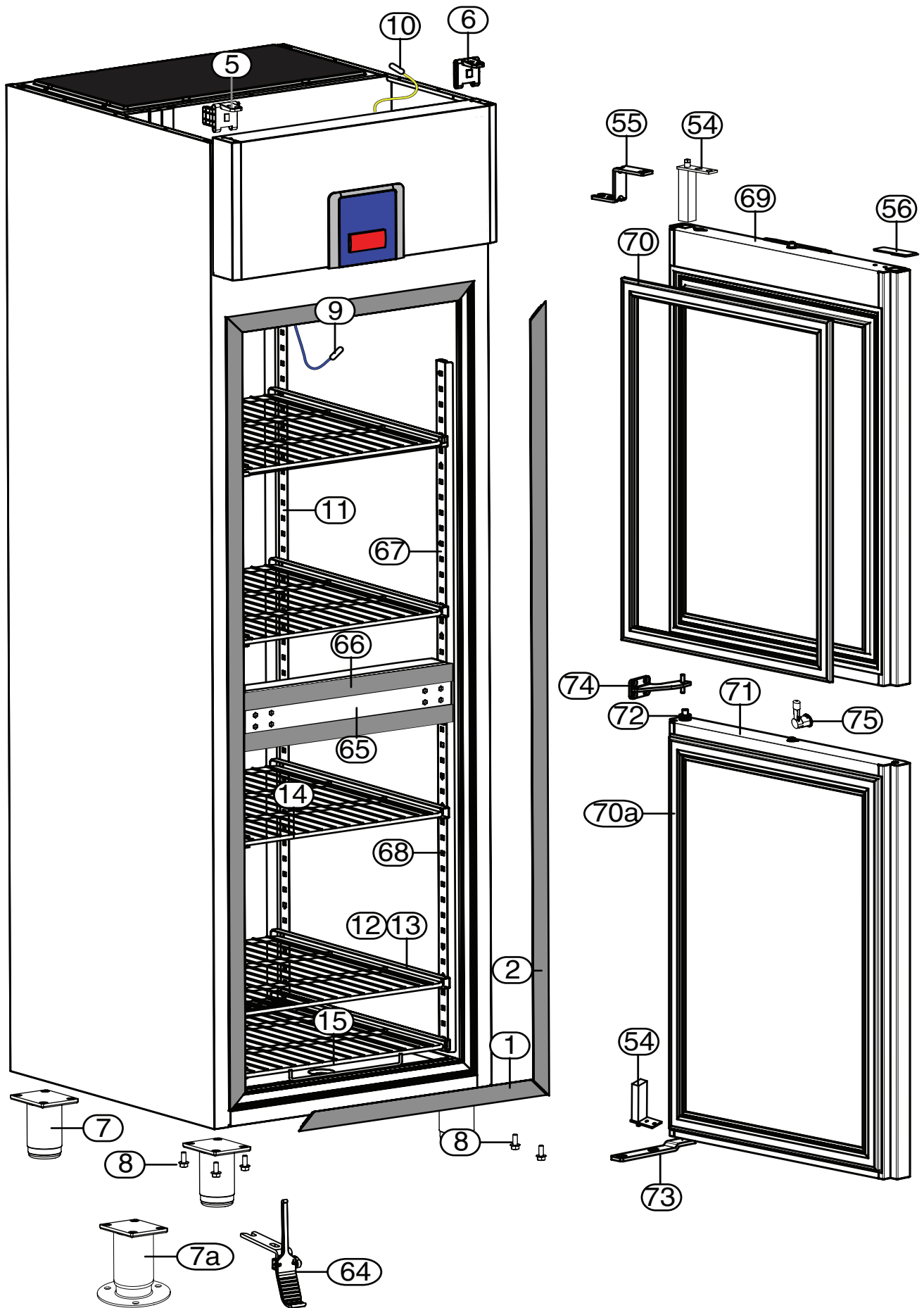
From Ser. Nr.3391... / Up to Ser. Nr....

Page: 2

Updated 05-2021
Ed. 01 01-2014

Doc. Nr.: **560152**

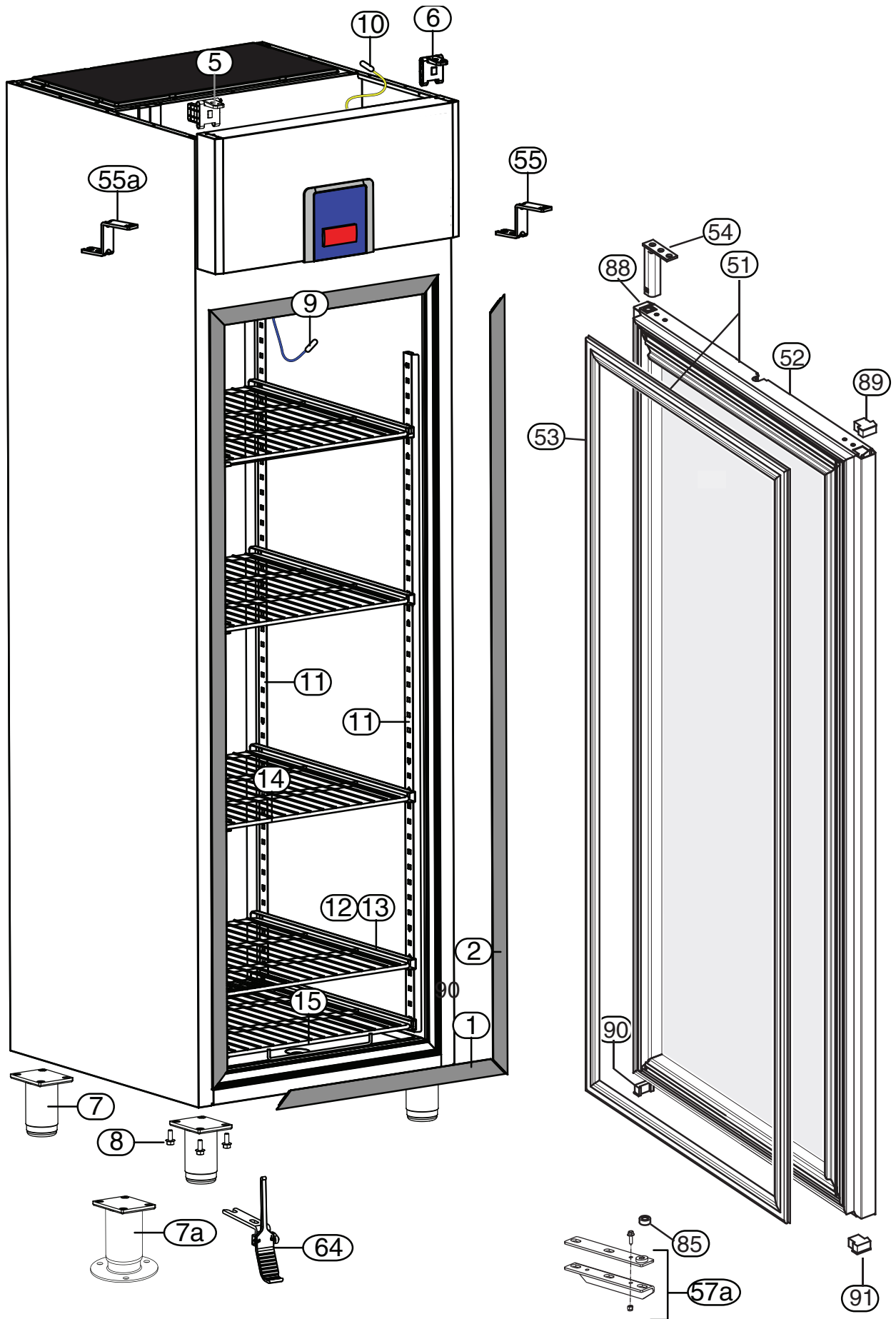
Half doors



560152 armadio mezza porte

Grassetto = ultima modifica
 Bold = last change

* Componenti a richiesta
 * Components on demand

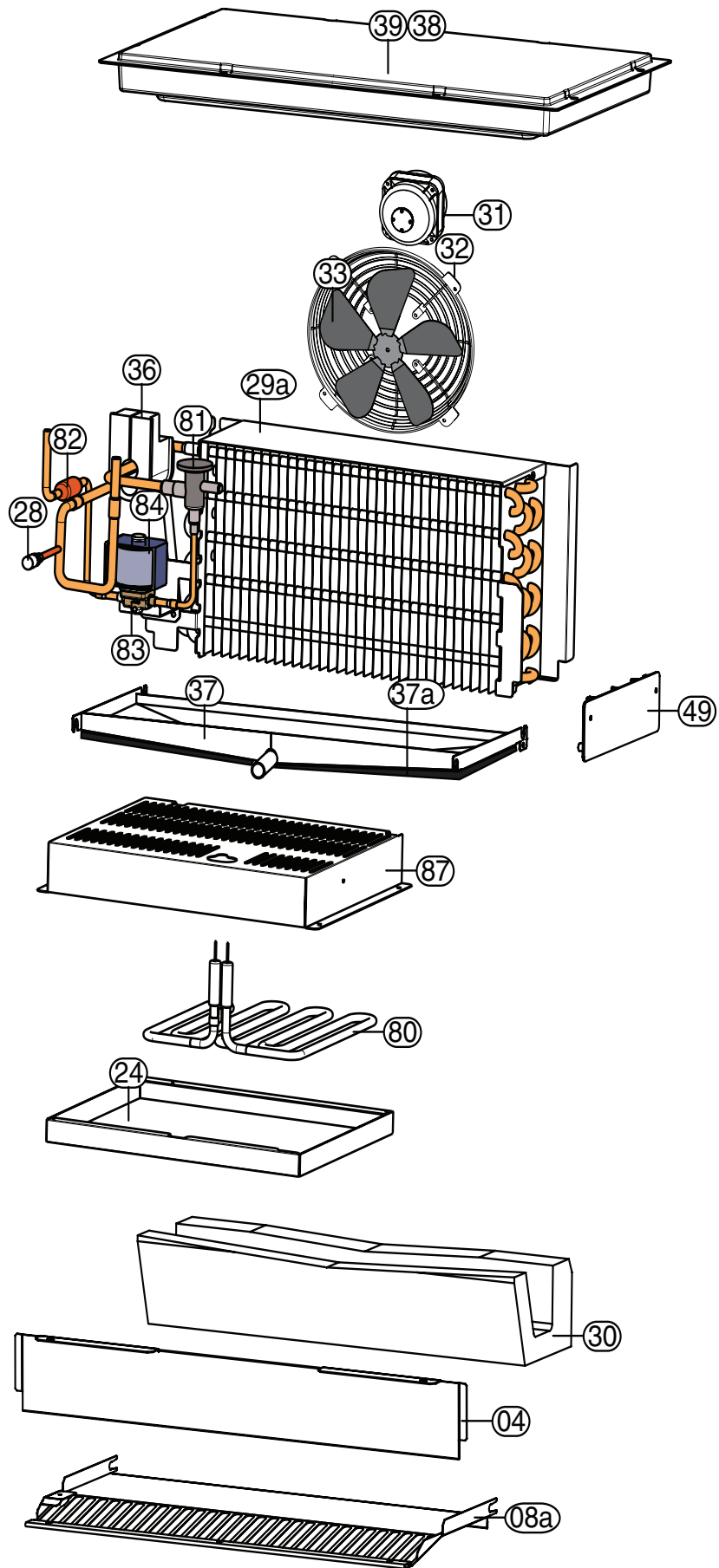


index pie di pagina

Grassetto = ultima modifica
Bold = last change

* Componenti a richiesta
* Components on demand

Remote cooling unit



560152 Cooling unit

Grassetto = ultima modifica
 Bold = last change

* Componenti a richiesta
 * Components on demand

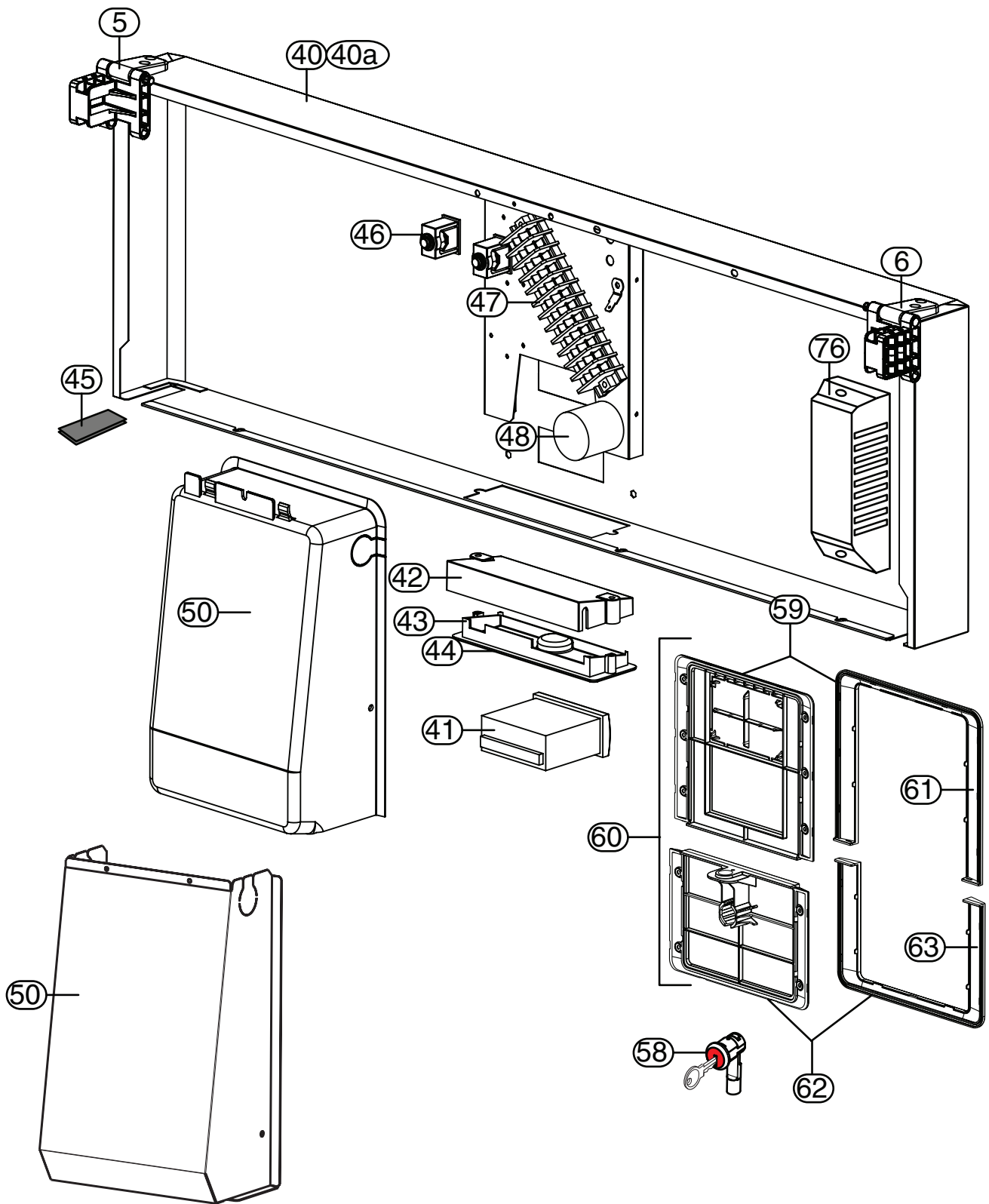
From Ser. Nr.3391... / Up to Ser. Nr....

Page: 6

Updated 05-2021
 Ed. 01 01-2014

Doc. Nr.: 560152

Control panel

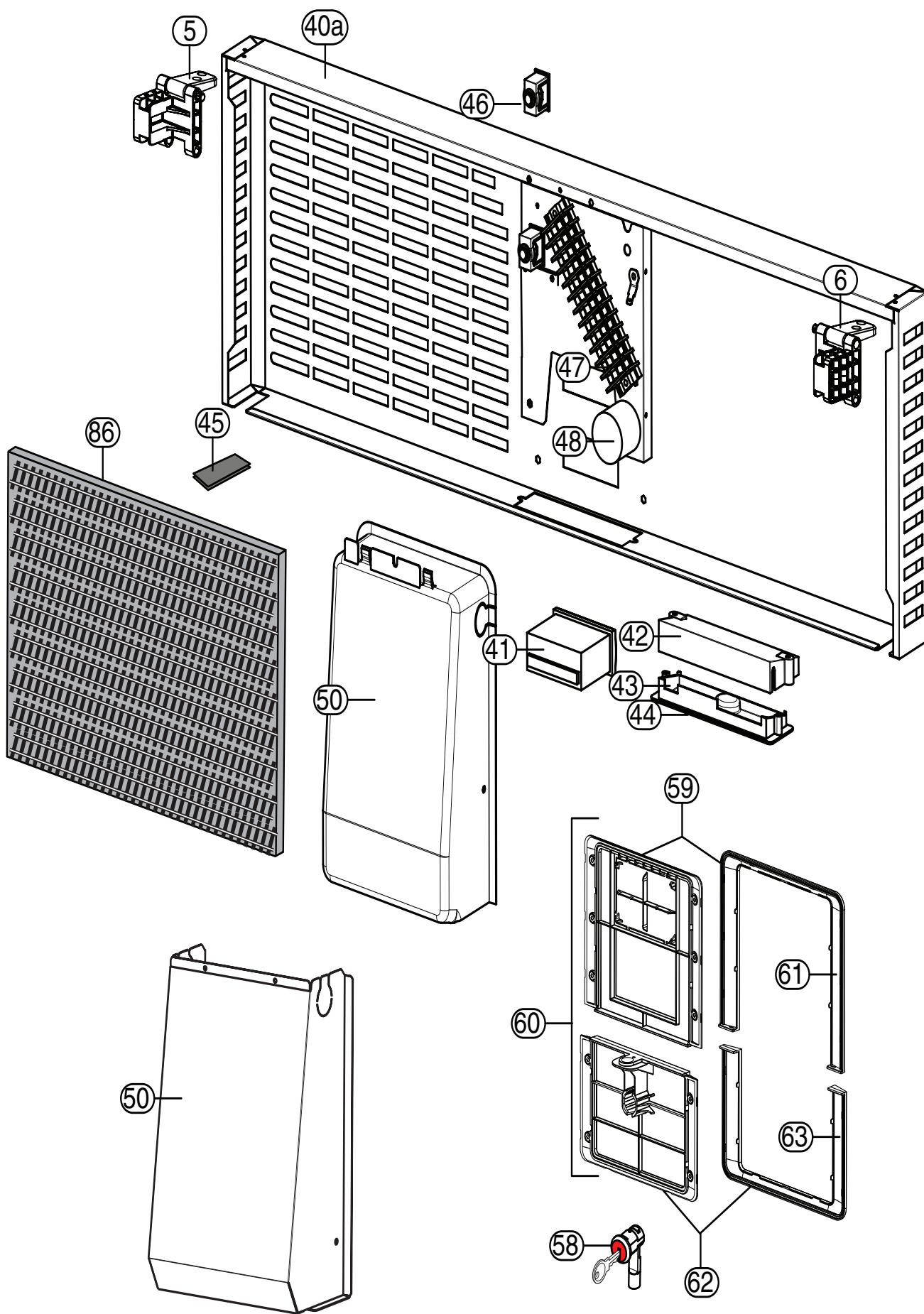


560152 cruscotto

Grassetto = ultima modifica
 Bold = last change

* Componenti a richiesta
 * Components on demand

Marine control panel



560152 cruscotto marine

Grassetto = ultima modifica
 Bold = last change

* Componenti a richiesta
 * Components on demand

Pos	Code	Factory code	Descrizione	Description	Ref./Notes
1		832R15300	Cornice orizzontale sup/inf	Upper/lower gasket frame	
2	094092	832R15100	Cornice dx e sx	Vertical gasket frame right /left	a,b,c,d,e,f,g,h,i,j,k,l m,n,o,p,q,r,s,t,u,v,x, y,a1,b1,c1,e1,f1,g1, h1,j1,k1,l1,m1, n1,o1,p1
2		832R17200	Cornice dx e sx	Vertical gasket frame right /left	d,d1
3	093602	546R24200	Convogliatore condensatore	Wiring condenser support	
4		501R90101	Copertura frontale	Front cover	
5	093609	832R10100	Cerniera cruscotto dx	Right hinge for control panel	
6	093610	832R10200	Cerniera cruscotto sx	Left hinge for control panel	
7	093243	541R05001	Piedino	Foot	a,b,c,d,e,f, g,h,j,k, l,m,o,p,q,s,t,u,x, b1,c1,d1,e1,g1, h1,j1,k1,l1,m1,n1, o1,p1
7a	094098	518R03900	Piedino Marine	Marine foot	i,r,v,w,y,a1,f1,i1
8	093245	217555204	Vite 7 X20	Screw 7X20	
8a		501R90401	Carter interno	Internal protection	a,b,c,d,e,f,g,h,i,j,k, l,m,o,p,q,s,t,u,w,x, b1,c1,d1,e1,f1,g1, h1,j1,k1,l1,m1,n1, o1,p1
8a		502R23901	Carter interno	Internal protection	i,r,v,y,a1,i1
9	092173	646R06700	Sonda cella 1500 mm 6x20	Cell probe 1500mm 6x20	
10	093371	646R10900	Sonda ambiente 2000 mm 6x20	Ambient probe 2000 mm 6x20	
11	093249	501R38201	Cremagliera	Rack support	a,b,c,d,e,f,g,h,i,j,k, l,m,o,p,q,s,t,u,w,x, b1,c1,d1,e1,g1, h1,j1,k1,l1,m1,n1, o1,p1
11	093355	501R36201	Cremagliera	Rack support	i,r,v,y,a1,i1
12	094101	501R91201	Guida sx	Left support	a,b,c,d,e,f,g,h,i,j,k, l,m,o,p,q,s,t,u,w,x, b1,c1,d1,e1,g1, h1,j1,k1,l1,m1,n1, o1,p1
12	094102	501R97201	Guida sx	Left support	i,r,v,y,a1,f1,i1
13	094103	501R91301	Guida dx	Right support	a,b,c,d,e,f,g,h,i,j,k, l,m,o,p,q,s,t,u,w,x, b1,c1,d1,e1,g1, h1,j1,k1,l1,m1,n1. o1,p1
13	094104	501R97301	Guida dx	Right support	i,r,v,y,a1,f1,i1
14	094169	514R15400	Griglia	Shelf	
14	097018	514R21200	Griglia	Shelf	y,a1,b1,c1,d1,e1,f1, g1,h1,i1,j1,k1,l1, m1,n1,o1,p1
15	094170	514R15500	Griglia di fondo	Bottom shelf	
16		501R89902	Basamento gruppo	Cooling support	
17	093267	684R05100	Compressore EMT6144Z R134A	Compressor EMT6144Z R134A	a,f,p,i1
17	093425	684R05700	Compressore EMT6144U R290	Compressore EMT6144U R290	b,c,d,h,l,n
17	093457	684R07200	Compressore NEK6160Z 50/60 HZ	Compressore NEK6160Z 50/60 HZ	i,a1
17	095045	684R12200	Compressore EMC3119U R290	Compressor EMC3119U R290	b1,c1,d1,h1,l1,n1
17	097593	684R16300	Compressore EMX6144U CSIR 230V 50-60HZ R290	Compressor EMX6144U CSIR 230V 50-60HZ	y

Grassetto = ultima modifica
Bold = last change

* Componenti a richiesta
* Components on demand

Pos	Code	Factory code	Descrizione	Description	Ref./Notes
19	093346	830R06501	Condensatore a fili	Condenser	
20	092360	646R09400	Sonda condensatore NTC	Condenser probe NTC	
21	089755	546709500	Griglia supporto ventilatore cond.	Condenser fan protection	
22	089697	511708800	Ventola 230 31 condensatore	Condenser Fan 230 31	
23	094837	515R23200	Serpentina condensatore	Condenser hot pipe	
24		833R25301	Bacinella per serpentina	Water basin conden. hot pipe	a,b,c,d,f,h,i,l,p,y, a1,b1,c1,d1, h1,i1,l1,n1
24	099818	510719701	Bacinella	Water basin conden.	e,g,j,k,m,o,q,r,s,t, u,v,w,x,e1,f1,g1, j1,k1,m1,o1,p1
25	093334	682R05300	Ventilatore condensatore (elco)	Condenser Fan VN 10 20	
25	094184	682R07700	Ventilatore condensatore 50/60 HZ	Condenser Fan 50/60 HZ	i
25	096995	682R14200	Ventilatore condensatore ELCO VNT 11-20	Condenser Fan ELCO VNT 11-20	y,a1,b1,c1,d1,h1,i1, l1,n1
26	094205	858R12400	Scambiatore con capillare	Heat exchanger with capillary	a,f,p,i1
26	094188	858R12701	Scambiatore con capillare	Heat exchanger with capillary	b,c,d,h,l,n,y,b1,c1, d1,h1,l1,n1,
26		858R13400	Scambiatore con capillare	Heat exchanger with capillary	i,a1
27	099949	858R00100	Filtro deidratore gr 40	Dehydrator filter 40 gr	
28	0A8171	A02021800	Valvola di ricarica compressore	Schrader Valve	a,b,c,d,f,h,i,l,p,y a1,b1,c1,d1, h1,i1,k1,l1,m1,n1
28	085505	845713000	Valvola di ricarica	Schrader Valve	e,g,j,k,m,o,q,r,s,t, u,v,w,e1,f1,g1,j1,k1, m1,o1,p1
29	094204	832R17100	Ass.Evaporatore 2R	Evaporator 2R assembly	a,f,i,y,a1,i1
29	094185	832R16501	Ass.Evaporatore 2R	Evaporator 2R assembly	b,c,d,f,h,l,p,b1,c1, d1,h1,l1,n1
29a	094186	832R16901	Evaporatore per remoto	Evaporator for remote unit	e,g,j,m,o,q,s,t,u,v,w, e1,f1,g1,k1,m1,o1,p1
29a		830R10200	Evaporatore per remoto brine system	Evaporator for remote unit brine system	k,j1
29a		830R02F00	Evaporatore per remoto CO2	Evaporator for remote unit CO2	x
30		555R07400	Coibentazione	Insulation	
31	093777	682R06601	Ventilatore evaporatore (fime)	Evaporator motor fan	a,f,i
31	093367	682R05800	Ventilatore evaporatore (ebm)	Evaporator motor fan	b,c,d,h
31	093334	682R05300	Ventilatore evaporatore (elco)	Evaporator motor fan	e,g,j,k,l,m,o,p,q,r, s,t,u,v,x
31	096231	682R12600	Ventilatore evaporatore (ebm)	Evaporator motor fan	b1,c1,d1,h1,l1,n1 up to 2152
31	096995	682R14200	Ventilatore evaporatore (elco)	Evaporator motor fan	b1,c1,d1,h1,l1,n1 from 2162 up to 2493
31	096231	682R12600	Ventilatore evaporatore (ebm)	Evaporator motor fan	b1,c1,d1,h1,l1,n1 from 2503
31	096995	682R14200	Ventilatore evaporatore (elco)	Evaporator motor fan	e1,f1,g1,k1,m1,p1
31	097000	682R02C00	Ventilatore evaporatore (fime)	Evaporator motor fan	y,a1,i1
32	094388	514R14800	Protezione ventola evaporatore	Evaporator fan protection	a,b,c,d,h,l,n,p, b1,c1,d1,h1,l1,n1

Grassetto = ultima modifica
Bold = last change

* Componenti a richiesta
* Components on demand

Pos	Code	Factory code	Descrizione	Description	Ref./Notes
32	089770	546709600	Protezione ventola evaporatore	Evaporator fan protection	e,g,j,k,m,o,q,r,s,t, u,v,w,x,e1,f1,g1, j1,k1,m1,o1,p1
33	093783	511R01200	Ventola 200X28	Fan 200x28	b,c,d,e,g,h,j,k,l,m,o, p,q,r,s,t,u,v,w,x, b1,c1,d1,e1,f1,g1, h1,j1,k1,l1,m1,n1, o1,p1
36	094119	546R30100	Tamponcino uscita tubi	Gasket pipe	a,b,c,d,f,h,i,l,p,y,a1, b1,c1,d1,h1,i1,l1
36	097025	546R30700	Tamponcino uscita tubi	Gasket pipe	e,g,j,k,m,o,q,r,s,t, u,v,w,x,e1,f1,g1, j1,k1,m1,o1,p1
37	094375	833R25201	Bacinella raccolta condensa	Water discharge basin	a,b,c,d,f,h,i,j,l,o,p,u, v,w,x,y,a1,b1,c1,d1, h1,i1,l1,o1
37a	094374	548R09200	Isolamento bacinella	Insulation basin	a,b,c,d,f,h,i,j,l,o,p,u, v,w,x,y,a1,b1,c1,d1, h1,i1,l1,o1
38	088499	569703700	Guarnizione copertura evap.	Gasket for evaporator cover	
39	097024	541R07200	Copertura evaporatore	Evaporator cover	
40		880R90902	Modulo pannello comandi comple.	Complete control panel	a,b,c,d,e,f,g,h,m Up to 4231...
40	094370	880R90903	Modulo pannello comandi	Complete control panel	a,b,c,d,e,f,g,h,k,m,q r,s,t,w From 4241...
40		880R97803	Modulo pannello comandi completo	Complete control panel pv	j,l,o,p,u,v,x
40		880R98902	Modulo pannello comandi completo	Complete control panel marine	i
40		881R48200	Modulo pannello comandi spina UK	Complete control panel UK plug	n
40	097038	883R46700	Modulo pannello comandi completo	Complete control panel	b1,c1,d1,e1,f1,g1, h1,j1,k1,m1,p1
40		883R47100	Modulo pannello comandi completo	Complete control panel	y,a1,i1
40		883R47200	Modulo pannello comandi completo	Complete control panel	l1,o1
40		883R48700	Modulo pannello comandi completo	Complete control panel	n1
40a	094348	501R91801	Modulo pannello comandi	Complete control panel	j,l,o,p,u,v,x
40a		501R98201	Modulo pannello comandi marine	Complete control panel marine	i
41	093437	646R10602	Termoregolatore Ir 33	Digital control iR33	
42	093387	546R19600	Coperchio supporto scheda led	Cover led light	
43	093810	855R12701	Assieme scheda led	Led light	
44	093390	569R05900	Guarnizione supporto scheda led	Led gasket	
45	093269	541R05401	Tappo fori cerniere	Plug for hinge	
46	094127	63900500	Ferma cavo	Wiring stopper	
47	093528	639R09900	Morsettiera	Clamp	
48	096636	694R00502	Filtro antisturbo	Electrical filter	e,e1,f1,j1,p1
48	084987	694700800	Filtro antisturbo L.C	Electrical filter	j,o,v,x
49		546R29600	Supporto evaporatore	Evaporator support	
50	095867	546R30800	Copertura termoregolatore	Back protection for control panel	
50	097016	504R26100	Copertura termoregolatore	Back protection for control panel	y,a1,b1,c1,d1,e1,f1, g1,h1,i1,j1,k1,l1, m1,n1,o1,p1
51	094660	880R93905	Porta completa con cerniere	Door complete with hinge	a,b,c,e,f,g,h,i,k,m, q,r,s,y,a1,b1,c1,e1, f1,g1,h1,i1, j1,k1,m1,p1

Grassetto = ultima modifica
Bold = last change

* Componenti a richiesta
* Components on demand

Pos	Code	Factory code	Descrizione	Description	Ref./Notes
51		880R97705	Porta completa con cerniere	Door complete with hinge	l up to 4361...
51	094395	0835R36903	Porta completa con cerniere	Door complete with hinge	j,l,n,o,p,u,v,x,l1,n1,o1 from 4371...
52	094661	875R24704	Porta con guarnizione	Door with gasket	a,b,c,e,f,g,h,i,k,m,q,r,s,y,a1,b1,c1,e1,f1,g1,h1,i1,j1,k1,m1,p1
52	094394	879R27202	Porta con guarnizione	Door with gasket	j,l,n,o,p,u,v,x,l1,n1,o1
53	094154	548R08500	Guarnizione porta	Door gasket	a,b,c,e,f,g,h,i,j,k,l,m,o,p,q,r,s,t,u,v,x,y,a1,b1,c1,e1,f1,g1,i1,j1,k1,l1,m1,o1,p1
54	082219	835704001	Cerniera superiore	Upper hinge door	
54	093320	835R28100	Cerniera superiore	Upper hinge door	j,l,n,o,p,u,v,x,l1,n1,o1
55	094182	505R15902	Staffa superiore	Upper braket door	a,b,c,e,f,g,h,i,k,m,q,r,s,t,y,a1,b1,c1,e1,f1,g1,i1,j1,k1,l1,m1,o1,p1
55	094181	505R15701	Staffa superiore	Upper braket door	j,l,o,p,u,v,l1
55a	094783	505R16500	Staffa superiore	Upper braket door	n,x,n1
56	093271	541R05301	Tappo foro cerniera	Plug door	
57	087792	800732701	Staffa inferiore	Lower braket door	a,b,c,e,f,g,h,i,k,m,q,r,s,t,a1,b1,c1,e1,f1,g1,h1,j1,k1,m1,p1
57a	093301	833R21901	Staffa inferiore	Lower braket door	j,l,n,o,p,u,v,x,l1,n1,o1
58	093345	833R20900	Serratura porta	Lock	
59		855R09900	Ass. mascherina cruscotto elux	Template control panel elux	a,b,c,d,e,i,k,m,q,r,s,t,w,y,a1,b1,c1,d1,e1,f1,i1,j1,k1,m1,p1
59		855R10100	Ass. mascherina cruscotto apx	Template control panel apx	f,g,h,g1,h1
59		855R10200	Ass. mascherina cruscotto	Template control panel	j,l,n,o,p,u,v,x,l1,n1,o1
60	093380	855R10801	Ass.masch., porta e crusc. elux	Template door and cont. pan. elux	a,b,c,d,e,i,k,m,q,r,s,t,w,y,a1,b1,c1,d1,e1,f1,i1,j1,k1,m1,p1
60	093382	855R11000	Ass.masch., porta e crusc. apx	Template door and cont. pan. apx	f,g,h,g1,h1
60	093383	855R11101	Ass.masch., porta e crusc. PV	Template door and cont. pan. PV elux	j,l,n,o,p,u,v,x,l1,n1,o1
61		546R20000	Cornice cromata cruscotto elux	Crome frame template control p.	a,b,c,d,e,i,j,k,l,m,n,o,p,q,r,s,t,u,v,w,x,y,a1,b1,c1,d1,e1,f1,i1,j1,k1,l1,m1,n1,o1,p1
61		546R20100	Cornice cromata cruscotto apx	Crome frame template control p.	f,g,h,g1,h1
62		855R10501	Ass. mascherina porta elux	Door template elux	a,b,c,d,e,i,j,k,l,m,n,o,p,q,r,s,t,u,v,w,x,y,a1,b1,c1,d1,e1,f1,i1,j1,k1,l1,m1,n1,o1,p1
62		855R10700	Ass. mascherina porta apx	Door template elux	f,g,h,g1,h1

Grassetto = ultima modifica
Bold = last change

* Componenti a richiesta
* Components on demand

Pos	Code	Factory code	Descrizione	Description	Ref./Notes
63		546R20200	Cornice cromata porta elux	Crome frame template door elux	a,b,c,d,e,i,j,k,l,m,n, o,p,q,r,s,t,u,v,w,x,y, a1,b1,c1,d1,e1,f1, i1,j1,k1,l1,m1,n1, o1,p1
63		546R20300	Cornice cromata porta apx	Crome frame template door apx	f,g,h,g1,h1
64	094132	833R27201	Pedale apertura porta Sx	Door pedal (left)	a,b,h,b1,h1
64	094133	833R27101	Pedale apertura porta Dx	Door pedal (right)	c,e,c1,e1,f1,j1,p1
65		880R96601	Modulo Traversa	Half doors support	d,w,d1
66		543R13300	Cornice traversa	Half doors frame support	d,w,d1
67	093275	501R51800	Cremagliera anteriore superiore	Front rack upper support	d,w,d1
68	093276	501R51600	Cremagliera anteriore inferiore	Front rack lower support	d,w,d1
69	096539	835R35204	Ass. porta superiore con guarniz.	Upper door with gasket	d,w,d1
70	094156	548R08700	Guarnizione mezza porta sup	Half door gasket (upper)	d,w,d1
70a	094157	548R08800	Guarnizione mezza porta inf	Half door gasket (lower)	d,w,d1
71	097756	835R35105	Ass. porta superiore con guarnizi.	Upper door with gasket	d,w,d1
72	093392	546R21100	Boccole per cerniera	Bush for half door	d,w,d1
73	093713	505R14200	Staffa inferiore	Lower bracket	d,w,d1
74	093344	505R12400	Staffa centrale	Central bracket	d,w,d1
75	093433	833R21100	Serratura mezze porte	Lock half doors	d,w,d1
76	094183	624R02000	Alimentatore per led 24V 20W	Led power adapter 24V 20W	j,l,n,o,p,u,v,x
76	097052	648R11700	Alimentatore per led VOSSLOH SCHWABE	Led power adapter VOSSLOH SCHWABE	l1,n1,o1
80	094143	617R09800	Resistenza di evaporazione 100W	Evaporation heating elem. 100W	e,j,k,m,o,q,r,s,t,v,w, e1,f1,j1,k1,m1,o1,p1
81	088501	646751900	Valvola termostatica R404A/407F	Thermostatic valve R404A/407F	j,q,r,s,v,f1,p1
81	087333	646740901	Valvola termostatica R134A	Thermostatic valve R134A	e,m,o,r,e1,m1,o1
81	095674	646R16000	Valvola termostatica R448A/R449A	Thermostatic valve R448A/R449A	t,u,w,k1
81*	089614	565717600	Isolante per valvola termostatica	Thermostatic valve insulation	e,g,j,k,m,o,q,r,s,t,u, v,w,e1,f1,g1,k1,m1, o1,p1
82	090229	525719000	Filtro meccanico	Mechanical filter	e,g,j,k,m,o,q,r,s,t,u, v,w,e1,f1,g1,j1,k1, m1,o1,p1
83	090230	646742400	Elettrovalvola	Solenoid valve	e,g,j,k,m,o,q,r,s,t,u, v,w
83	094435	646R10502	Elettrovalvola	Solenoid valve	e1,f1,g1,j1,k1,m1,o1
84	088351	646749000	Bobina	Coil	e,g,j,k,m,o,q,r,s,t,u, v,w part of 090230
84	0S2693		Bobina	Coil	e1,f1,g1,j1,k1,m1,o1 part of 094435
85	081654	544700601	Boccola per cerniera	Bush for hinge	a,b,c,e,h,i,k,m,q,r,s, t,y,a1,b1,c1,e1,f1, h1,i1,j1,k1,m1,p1
85	093517	546R23100	Boccola per cerniera	Bush for hinge	j,l,n,o,p,u,v,x,l1,n1,o1
86		546R29901	Filtro cruscotto	Filter for control panel	i,y,a1,i1
87	097009	501R97401	Copertura bacinella remoto	Cover basin	e,j,k,m,o,q,r,s,t,u, v,w,x,e1,f1,j1,k1, m1,o1,p1
88	093535	546R22400	Tappo sup. dx pv	Upper right plug glass door	j,l,n,o,p,u,v,x,l1,n1,o1
89	093536	546R22300	Tappo sup. sx pv	Upper left plug glass door	j,l,n,o,p,u,v,x,l1,n1,o1
90	093537	546R22500	Tappo inf. dx pv	Lower right plug glass door	j,l,n,o,p,u,v,x,l1,n1,o1
91	093538	546R22200	Tappo inf. sx pv	Lower left plug glass door	j,l,n,o,p,u,v,x,l1,n1,o1

Grassetto = ultima modifica
Bold = last change

* Componenti a richiesta
* Components on demand